

# Hypertherm®

## powermax1000® G3 SERIES™

### Machine torch parts

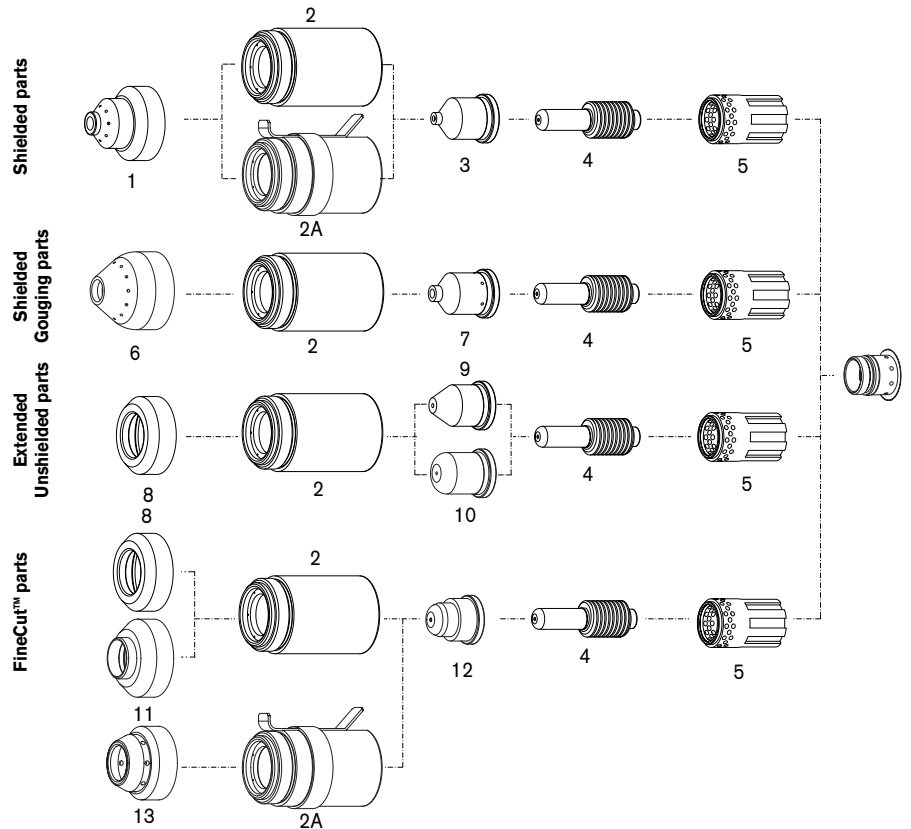
#### T60M consumables



Powermax1000



T60M Torch



	ITEM NUMBER	PART NUMBER	DESCRIPTION	QUANTITY PER PACKAGE
Shielded parts	1	120930	Shield	1
	2	120928	Retaining Cap	1
	2A	220061	Retaining Cap, ohmic	1
	3	120931	Nozzle, 60 Amp	5
	3	120932	Nozzle, 40 Amp	5
Shielded Gouging parts	4	120926	Electrode	5
	5	120925	Swirl Ring	1
	6	120977	Shield, Gouging	1
	2	120928	Retaining Cap	1
	7	220059	Nozzle, Gouging	5
Extended Unshielded parts	4	120926	Electrode	5
	5	120925	Swirl Ring	1
	8	120979	Deflector	1
	2	120928	Retaining Cap	1
	9	220007	Nozzle, Extended, 60 Amp	5
FineCut™ parts	10	220006	Nozzle, Extended, 40 Amp	5
	4	120926	Electrode	5
	5	120925	Swirl Ring	1
	8	120979	Deflector	1
	11	220325	Deflector, CE	1
FineCut™ parts	13	220404	Shield, Ohmic	1
	2	120928	Retaining Cap	1
	2A	220061	Retaining Cap, Ohmic	1
	12	220329	Nozzle, T60/T80/T100	5
	4	120926	Electrode	5
	5	120925	Swirl Ring	1

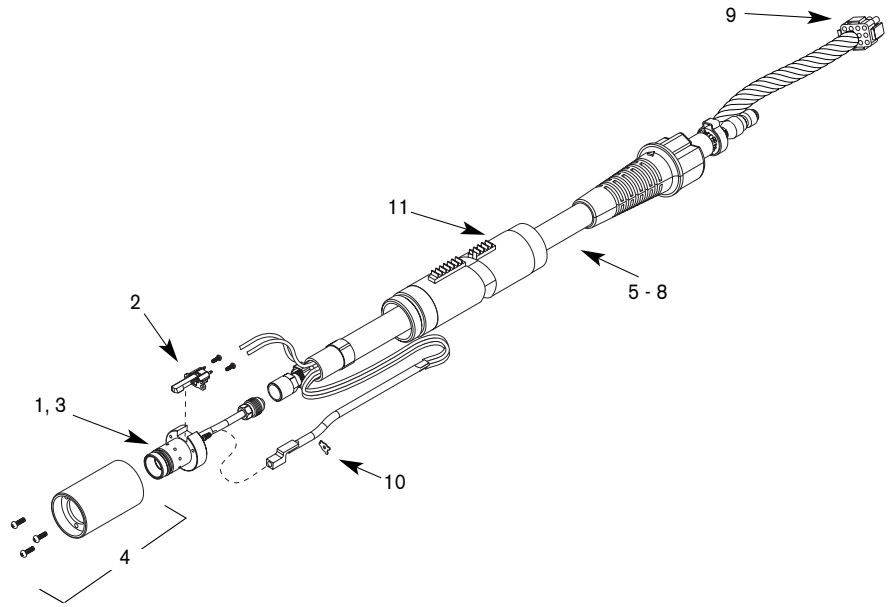
**Genuine Hypertherm Consumables**

The only way to ensure maximum performance

#### WARNING

\* In countries following CE standards, unshielded consumables may only be used in mechanized torch applications.

# Powermax1000 T60M torch assembly



**T60M Torch**

ITEM NUMBER	PART NUMBER	DESCRIPTION
	083175^	T60M Machine torch assembly 15' (4.6m)
	083174^	T60M Machine torch assembly 25' (7.6m)
	083176^	T60M Machine torch assembly 35' (10.7m)
	083177^	T60M Machine torch assembly 50' (15.2m)
	128645	Kit: Torch Mounting
1	128640	Kit: T60M/T80M torch main body replacement
2	128639	Kit: Cap sensor switch replacement
3	128521	Kit: T60/T80, T60M/T80M torch head repair
4	128643	Kit: T60M/T80M mounting sleeve replacement
5	128634	Kit: T60M/T80M lead replacement 15' (4.6m)
6	128633	Kit: T60M/T80M lead replacement 25' (7.6m)
7	128635	Kit: T60M/T80M lead replacement 35' (10.7m)
8	128641	Kit: T60M/T80M lead replacement 50' (15.2m)
9	128638	Kit: ETR connector repair (Regional Repair Centers only)
10	027889	Retaining Clip
11	128710	Kit: T60/T80M Positioning Sleeve Replacement

^ Assembly includes consumables

Hypertherm, Powermax, G3 Series, FineCut and PAC are trademarks of Hypertherm, Inc. and may be registered in the United States and/or other countries.

## Hypertherm®

The world leader in  
plasma cutting technology™

www.hypertherm.com

**Hypertherm, Inc.** USA 603-643-3441 Tel 603-643-5352 Fax consumable.info@hypertherm.com

**Hypertherm Automation, LLC** USA 603-298-7970 Tel 603-298-7977 Fax info@hyperthermautomation.com

**Hypertherm Plasmatechnik, GmbH** Deutschland 49 6181 58 2100 Tel 49 6181 58 2134 Fax

HTDeutschland.info@hypertherm.com

**Hypertherm (S) Pte Ltd.** Singapore 65 6 841 2489 Tel 65 6 841 2490 Fax

HTSingapore.info@hypertherm.com

**Hypertherm (Shanghai) Consulting Co., Ltd** China 86-21-5835-5362 /3 Tel 86-21-5835 5220 Fax

HTChina.info@hypertherm.com

**Hypertherm UK, Ltd.** England 44 1928 579 074 Tel 44 1928 579 604 Fax HTUK.info@hypertherm.com

**France** 00 800 3324 9737 Tél 00 800 4973 7329 Fax HTFrance.info@hypertherm.com

**Hypertherm S.r.l.** Italia 39 02 725 46 312 Tel 39 02 725 46 400 Fax HTItalia.info@hypertherm.com

**Hypertherm Europe B.V.** Nederland 31 165 59 69 07 Tel 31 165 59 69 01 Fax

HTEurope.info@hypertherm.com

**Japan** 81 05 5975 7387 Tel 81 05 5975 7376 Fax HTJapan.info@hypertherm.com

**Hypertherm Brasil Ltda.** 55 21 2278 6162 Tel 55 21 2578 0947 Fax HTBrasil.info@hypertherm.com